



WORLD CLIMBING SERIES CHAMONIX 2026

LEAD & SPEED

FRANCE

10/11/12 July 2026

ORGANISED BY



&



Version 1.0
24/04/2026





- 1. Organisation**
- 2. Programme**
- 3. Deadlines and quotas**
- 4. Sport information**
- 5. Logistics**
- 6. Medical information**

1. Organisation

1.1. World Climbing Staff on site

Staff		
Role	Name	Info
Digital Manager	Marco Vettoretti	marco.vettoretti@worldclimbing.com

1.2. World Climbing Officials

Delegates		
Event Delegate	Sandro Pfister (SUI)	sandro.pfister@worldclimbing.com +41 798 6262 26
Assistant Event Delegate	Trevor Clay (USA)	
Medical Delegate	Daniel VON ESSEN (GER)	
Judging Team		
Jury President	Karalyn Aronow (USA)	
Judges	Carole Majewski (FRA)	
Routesetting Teams		
Head Routesetter	Jan Zbranek (GER)	
Routesetter	Sergio Verdasco (ESP)	
Routesetter	Brad Weaver (USA)	

1.3. Local Organiser Committee

Event		
Event Directors	Emilie GHEUX	e.gheux@ffme.fr / +33681778226
	Frederic COMTE	fred@chamonixsport.com
Administration and logistics		
	Emilie GHEUX	e.gheux@ffme.fr / +33681778226
Media & Communications		
Local organization	Magali CHEVALIER	magali@chamonixsport.com
FFME Director	Olivier TOUILLEZ	o.touillez@ffme.fr

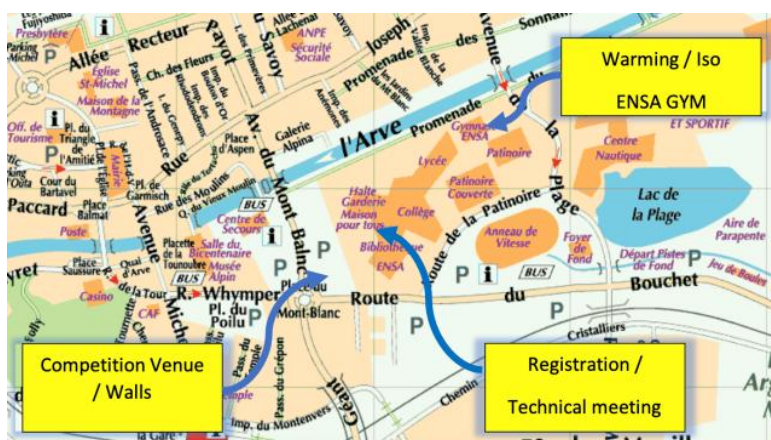
2. Programme

2.1. Provisional Programme (Local Time, UTC +2)

Friday 10 July	
07:00 – 10:00	Health and Safety Screening for Speed and Lead
11:30 – 12:30	Confirmation of attendance Speed
13:00	Technical Meeting Speed
13:30 – 14:30	Confirmation of attendance Lead
15:00	Technical Meeting Lead
15:00	Warm Up opens Speed
17:00 – 18:30	Women’s and Men’s Speed Practice
18:45 – 20:15	Women’s and Men’s Speed Qualification
Saturday 11 July	
07:00	Warm Up opens Lead
9:00 – 16:00	Qualification Men and Women Lead
19:00	Warm Up opens Speed
21:00 – 22:15	Women’s and Men’s Speed Finals
Sunday 12 July	
8:00 – 9:00	Warm Up and Isolation open – close for Lead
10:00 – 12:30	Men’s and Women’s Lead Semi-Finals
18:30 – 19:30	Warm Up and Isolation open – close for Lead
20:15	Observation Men and Women at the same time
20:30	Women Final Lead
21:25	Men Final Lead

2.2. Technical Meeting

Location: Espace Michel Croz 2, Place du Mont-Blanc



The venue for all Technical Meetings is approximately a 1-minute walk from the climbing venue.



Date and time:

Speed: Friday 10 July – 13.00

Lead: Friday 10 July – 15.00

IMPORTANT: Please note that a maximum of two (2) National Team Officials per Country will be allowed to access the Technical Meeting.

2.3. Confirmation of Participation

Location : Espace Michel Croz 2, Place du Mont-Blanc

Confirmation of participation is mandatory for each discipline and must be done in person by the Head of Delegation. In case a National Team did not register the Head of Delegation, another member of the National Team shall be appointed to confirm attendance of the Team. In case of emergencies and late arrival, the Event Delegate must be informed immediately. Failure to provide this information in a timely manner may result in the athletes not being permitted to compete. A digital copy of the athletes' passports shall be provided at the confirmation of attendance. Failure to provide this information in a timely manner may result in the athletes not being permitted to compete.

IMPORTANT: Confirmation of participation for each discipline is outlined in the event programme below. Athletes may only be confirmed in the discipline for which the confirmation is taking place, provided they are duly registered in that discipline. It will not be possible to confirm athletes for other disciplines during a different confirmation season.

3. Deadlines and quotas

3.1. Registration deadline

Deadline: The deadline for registration is 15 days before the first day of competition on **25 June 2026 at 11:59 PM UTC+0**. Following the Registration Date and until 5 days before the first day of competition, Member Federations may, in exceptional circumstances, withdraw Team Members and substitute new Team Members to replace those withdrawn, provided that any substitute competitors must be registered in the same Category as the withdrawn competitor.

3.2. Valid athletes' international licence

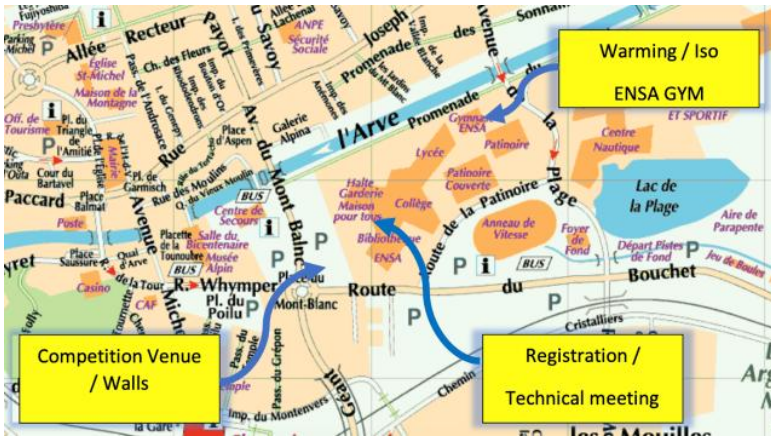
Licences: Only competitors and team officials with a valid World Climbing International licence and approved medical status are allowed to register for the competition.

Online Registration System: <https://ifsc.results.info/users/login>

4. Sport Information

4.1. Venue info

Place du Mont Blanc, 74400 Chamonix



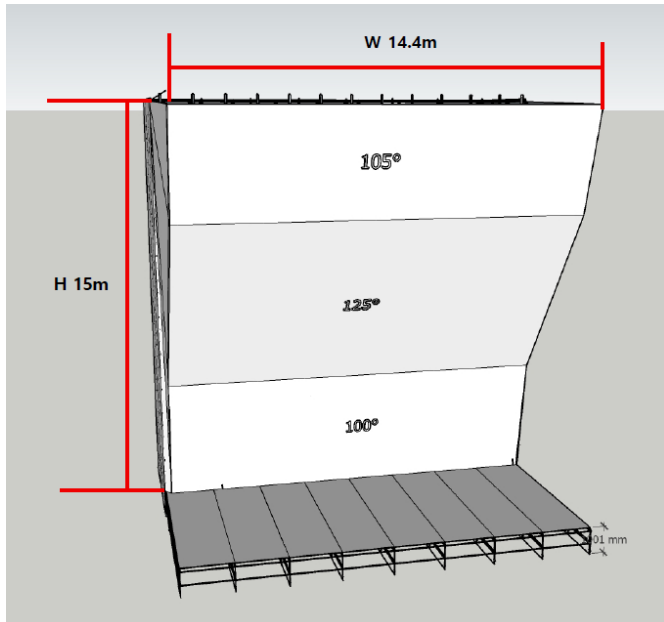
4.2. Warm-up zone

ENSA Gym : 260 Prom. du Fori, 74400 Chamoniard-Mont-Blanc, France



4.3. Wall Profiles

Lead Wall



4.4. Prize Money

Rank	Individual events*
1st	6000€
2nd	4000€
3rd	2800€
4th	2000€
5th	1600€
6th	1400€
7th	1200€
8th	1000€
TOTAL	20000€

*Individual events: Lead MEN, Lead WOMEN, Speed MEN, Speed WOMEN
The prize money will be distributed to athletes net of any applicable national taxes.

5. Logistics

5.1. Visa and Travels

If you need invitations for visa, please fill the form at the following address: <http://www.ffme.fr/visa>



5.2. Accommodation

5.2.1. Suggested hotels:

All possibilities: www.chamonix.com/accommodation,19,en.html

5.3. Transport

All information: www.chamonix.com/access,9,en.html

5.4. Tickets

Free entrance

6. Medical information

6.1. General information

Emergency local doctor during the event: TBC, In addition to the emergency doctor, there will be a team of paramedics at the venue during the whole competition.

Emergency Numbers France:

Ambulance: 15

Fire Department: 18

Police: 17

Euro Emergency Call: 112

Competition Doctor: TBC

Nearest Hospital:

Hospitals Country Du Mont-Blanc , [509 Rte des Pèlerins, 74400 Chamonix-Mont-Blanc, Francia](http://www.hospitals.chamonix.com)